

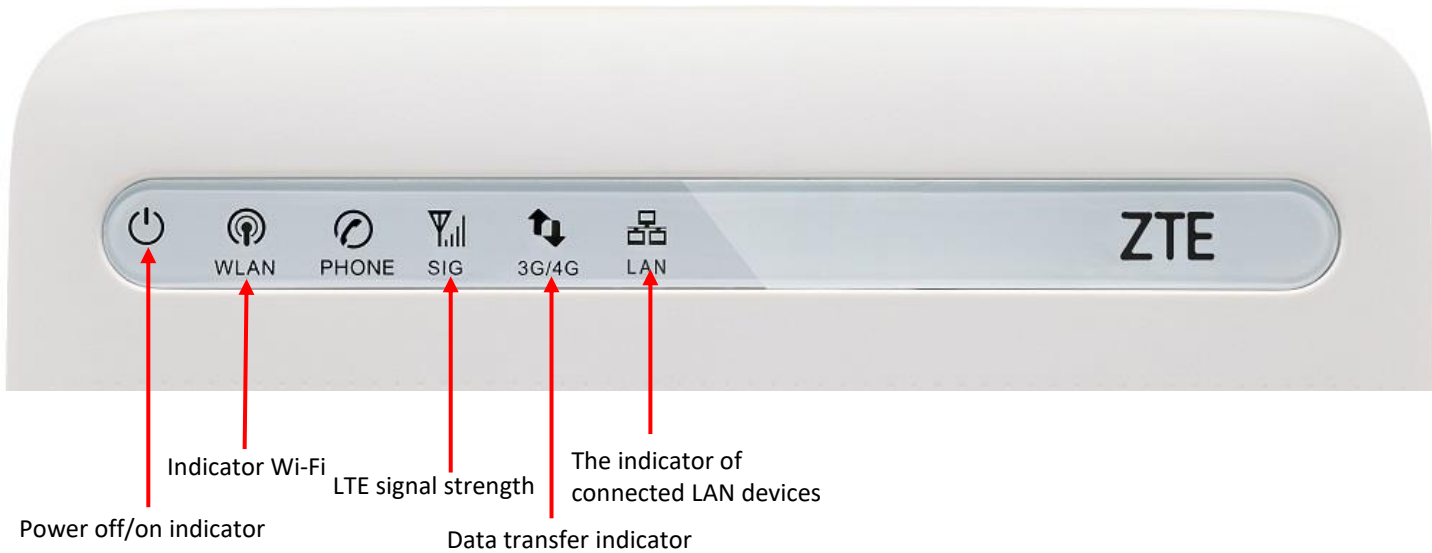


With the right SIM for travel



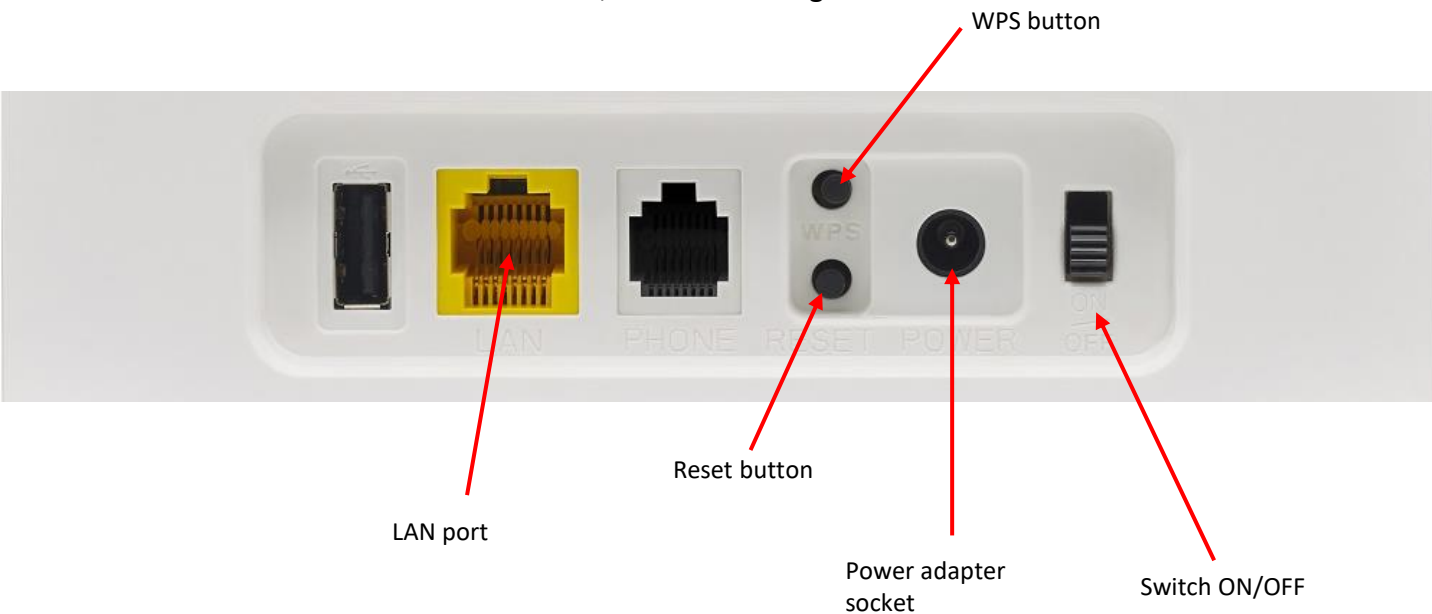
Introducing the ZTE MF255 V

- The modem works only with Wi-Fi band 2.4 Ghz.
- It can be transferred even abroad, but there with a SIM card that is not marked as “fully cable-free”.



In case that:

- two arrows light up red, it's a malfunction.
- yellow arrows are lit, the router is registered to 2G.
- the arrows are lit blue, the router is registered to 3G.





SIM card slot

Wi-Fi network name in factory settings



Wi-Fi password in factory settings

Useful informations



- The modem is easily portable and you only need to connect it to electricity.
- The modem is suitable for a garden or a cottage where there is no fixed internet coverage.
- It is possible to order both a SIM without a “full cable tarif” and a SIM with any flat rate where data is allowed.
- In that case, it works abroad.
- The modem cannot be connected to a fixed cable Internet.
- If there is no good data coverage on the phone in place, the ZTE will have the same problem.
- Everything depends on the data coverage in the location where the modem is located.